

## Specification

# Amphenol

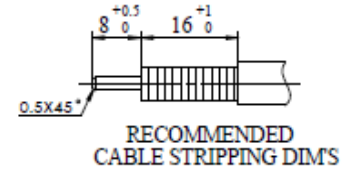
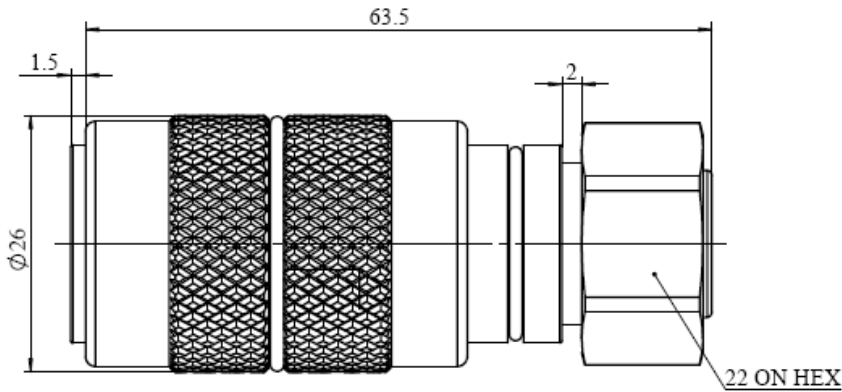
Changzhou Amphenol Fuyang Communication Equipment Co. Ltd.

|                     |  |                 |
|---------------------|--|-----------------|
| Product Description | 4.3/10 Screw Male Compression Connector for 1/2" Annular Cable | Date: 2020.1.10 |
| Part NO.            | AFDF07-1   | Ver. 3          |

[Installation video](#)



[Installation instructions](#)



UNIT: mm

## Reference Standard

**IEC61169-54**

## Electrical Performance

|   |   |
|---|---|
| Nominal Impedance ( $\Omega$ )            | 50  |
| Frequency Range                           | DC~6GHz   |
| VSWR                                      | $\leq 1.10$ (0-3GHZ)<br>$\leq 1.20$ (3-6GHZ)              |
| VSWR(DTF)                                 | $\leq 1.05$ (0-3GHZ)<br>$\leq 1.10$ (3-6GHZ)              |
| PIM (dBc)                                 | $\leq -160$ (2*43dBm)                                     |
| Insertion Loss                            | $\leq 0.05 \sqrt{F}$ (GHz)                                |
| Insulation Resistance(M $\Omega$ /500VDC) | $\geq 5000$   |
| Proof Voltage (V/AC)                      | $\geq 2500$   |
| Contact Resistance (m $\Omega$ )          | $\leq 1.0$ (Inner Conductor) $\leq 1.0$ (Outer Conductor) |

| Mechanical Performance          |            |
|---------------------------------|------------|
| Interface Durability            | 500 Cycles |
| Nut Torque                      | 5 N.m      |
| (Nut) Whorl Pull                | 500 N      |
| Tensile Force (Cable-Connector) | 500 N      |
| Torsion (Cable-Connector)       | 5N.m       |
| Weight                          | 134.16g    |

| Material and Plating |                 |                    |
|----------------------|-----------------|--------------------|
| Connector Parts      | Material        | Plating            |
| Inner Conductor      | Spring Copper   | Ag 5μm             |
| Outer Conductor      | Brass           | Copper-tin-zinc2μm |
| Nut                  | SUS304          | Chemical Polishing |
| Insulator            | TPX             |                    |
| Gasket               | Silicone Rubber |                    |

| Environment            |                         |
|------------------------|-------------------------|
| Temperature Range      | -40°C~+85°C             |
| Weather Standard       | IEC60068 40/ 085/ 21    |
| Thermal Shock          | IEC60068-2-14-Na        |
| Vibration              | IEC60068-2-6-Fc         |
| Shock                  | IEC60068-2-27           |
| Waterproofing Standard | IP68                    |
| RoHS                   | Compliant(EU and China) |

| Assembly         |   |
|------------------|---|
| Cables supported | Amphenol AFY-50-12R, Andrew LDF4-50A, HL4RP-50A (Plenum),<br>Draka: RF1/2"-50, Eupen EC4-50 5.RFS: LCF12-50J, ICA12-50JPLW (Plenum) |
| WPS Boot         | AF2040567, can be installed before and after cable jumper assembly.   |
| WPS Boot Guide   | AFJ89-3, for WPS Boot installation after cable jumper assembly.   |

NOTE: The technical specification contains proprietary information and such information may not be disclosed to others for any particular purpose or used for manufacturing purposes without written permission from Amphenol Fuyang.

| VER HISTORY |            |   |            |
|-------------|------------|---|------------|
| Ver.        | Revised by | Revision note:  | Date       |
| 1           | libo       | Add an o-ring to the connector body                             | 2019.10.11 |
| 2           | libo       | Increase the distance between nut and connector from 1mm to 2mm | 2019.10.23 |
| 3           | libo       | Add web link  | 2020.1.10  |