

Premises Enclosures “Infinity Premises Enclosures”, IPE Series

Description:

Infinity Premise Enclosures combine style and easy product installation with our patented True Flex™ Quick Mount feature and Cable Retention slots. The Infinity Premise Enclosures are packed with ergonomic features that ensure reliability and satisfaction.



Features & Benefits:

- Three convenient sizes in weather resistant high impact thermoplastic alloy.
- Self-latching, hinged cover design snaps closed: with padlock and F-terminator security.
- Optimize space and cost.
- Quick mount rails enabling True Flex devices to be snapped into place.
- Continuous bosses for flexible component placement.
- Cable retention slots allowing work to be completed outside of the box.

Applications:

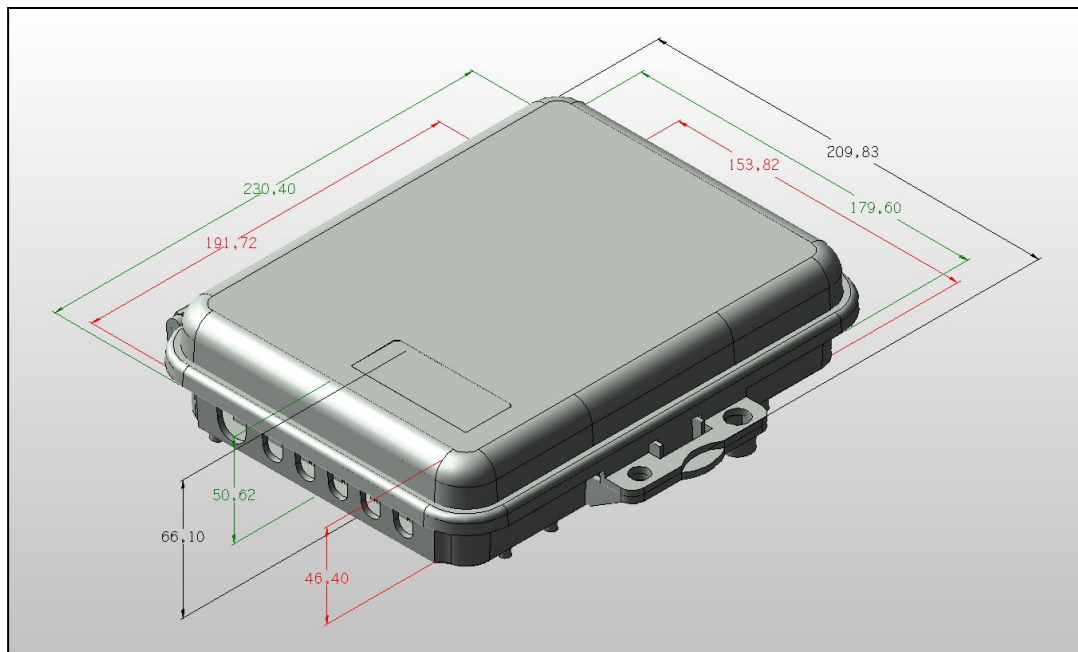
Premise.

- Grounding
- RF Passives / Actives
- Optical Storage
- Optical Actives / Passives
- Hybrid RF / Optical Installations

Additional Info:

Specifications

Model Number	IPE862	IPE994	IPE12123
Outside Dimension (in/mm)	9.1" x 7.1" x 2.0" (230 x 180 x 50.6)	9.4" x 9.2" x 4.1" (239 x 233 x 103)	12.4" x 12.4" x 3.3" (316 x 316 x 84.9)
Inside Cavity Dimensions (in/mm)	7.6" x 6.1" x 1.8" (192 x 154 x 46.4)	7.8" x 8.1" x 3.9" (198 x 205 x 99)	11.3" x 11.6" x 3.1" (287 x 294 x 79.6)
Maximum Cubic Foot Print (in/mm)	9.1" x 8.3" x 2.6" (230 x 210 x 66.1)	9.4" x 10.4" x 4.5" (239 x 263 x 115)	13.5" x 13.9" x 3.9" (344 x 352 x 100)
Mounting Boss Torque	20 in/lbs		
Impact Test at -40C	5ft/lbs on all surfaces		
Drop Test at -40C	5ft onto concrete surface 4 times		
High Temperature Storage/Mold Test	14 days at +75C		
Temperature Cycling With Humidity	150 days cycling from -40C to +60C with 95% humidity		
UV Resistance (Days Exposed)	60 per ASTM0G26-84		
Salt Fog (Days Exposed)	60 per ASTM0BLL7-90		
Rain	24 hours at 10psi		
Flammability	UL94-5V		



Enclosure Dimensions Example IPE862

- Red** Inside cavity measured at the floor of the base
- Green** Outside enclosure measured at the rim and top cover to bottom base
- Black** Overall maximum footprint including latch, hinges, and bottom mounts

Specifications Are Subject To Change Without Notice
 © 2005-2008 Extreme Broadband Engineering LLC. All rights reserved.
 Extreme Broadband Engineering is a registered trademark. Infinity Premise™ is a trade of Extreme Broadband Engineering.

Customers are reminded they are SOLELY responsible for confirming that all products are properly installed and used in accordance with codes and regulations.