

Keep coax and fiber optic cable drops organized, protected and safe with Amphenol's non-metallic riser pipes and wire guards

Many service calls resulting from accidental cable damage can be prevented by the use of riser pipes and wire guards. Proper wire management of both aerial and buried wire drops and ground wires not only increases safety, but also is aesthetically pleasing at the customer premise. Amphenol Riser Pipes and Wire Guards are constructed out of lightweight, UV stabilized PVC that will not rust, dent or corrode. A smooth inside surface finish prevents cable snags. They can be easily handled and cut on the job site, and offer inexpensive protection against wind, snagging, and vandalism.

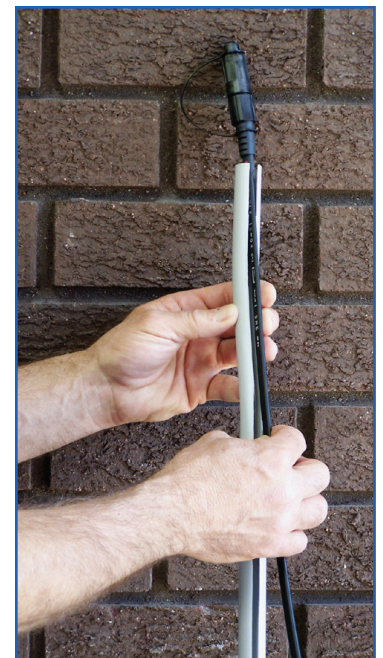
To meet your every need, Amphenol offers straight, offset, and elbowed riser configurations as well as a large selection of couplers, end caps, and clamps to finish the job right.

Two series are available with differing cable capacities: 119/122 Series Risers & Wire Guards feature a 7/8" outside diameter; 219/222 Series Risers & Wire Guards feature a 1 1/4" outside diameter.



Split Risers for Fiber Optic Cables

Pre-connectorized fiber drops with large connectors can be troublesome to protect with standard-sized riser pipes. Amphenol Split Risers allow technicians to protect fiber optic cables without having to force the bulky connector ends through the pipe. Instead, the cable can be easily inserted through the split design. The split edge is then mounted towards the premises wall, providing total coverage. Split Riser is identified with an "s" at the end of the part number.

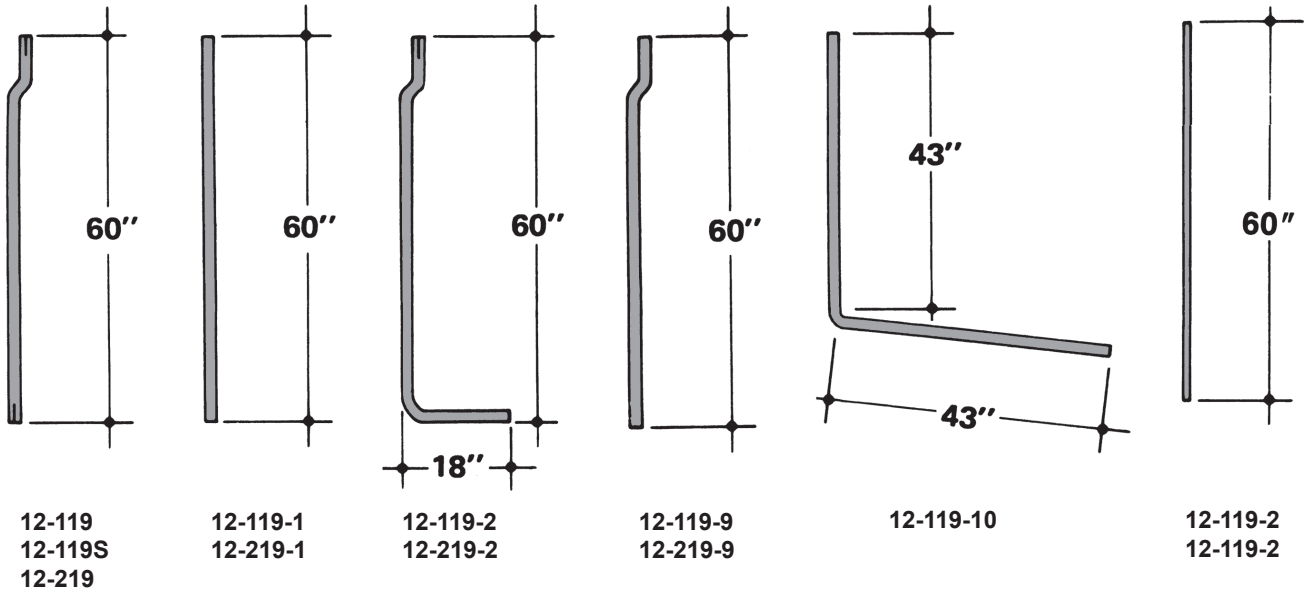


Applications

- Utility pole to buried wire
- Aerial drop wire to station protector
- Station protector to ground (ground wire)
- Station protector to buried wire

Riser Pipes 

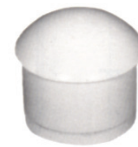
Wire Guard 



Clamp
12-44
12-54



Coupler
12-50
12-60



End Cap
12-59
12-69



119/122 Series (7/8" diameter)

Item Type	Series	Part #	Description	Standard Pkg.
Riser	119	12-119	5' Straight with Offset & Notch, 2 Clamps	30
Riser	119	12-119-1	5' Straight, 2 Clamps	30
Riser	119	12-119-2	5' L-bend Elbow with Offset & Notch, 2 Clamps	60
Riser	119	12-119-9	5' Straight with Offset, 2 Clamps	30
Riser	119	12-119-10	43" 78 degree L-bend Elbow, No Offset, 2 Clamps	60
Split Riser	119	12-119S	5' Straight with Offset & Notch, Split Opening, 2 Clamps	30
U-Guard	122	12-122-5	5' Straight, 2 Clamps	30
Accessories	119	12-59	End Caps	100
Accessories	119	12-44	Clamps	100
Accessories	119	14-50	Coupler	25

219/222 Series (1¼" diameter)

Item Type	Series	Part #	Description	Standard Pkg.
Riser	219	12-219	5' Straight with Offset & Notch, 2 Clamps	15
Riser	219	12-219-1	5' Straight, 2 Clamps	15
Riser	219	12-219-2	5' L-bend Elbow with Offset & Notch, 2 Clamps	30
Riser	219	12-219-9	5' Straight with Offset, 2 Clamps	15
U-Guard	222	12-222-5	5' Straight, 2 Clamps	15
Accessories	219	12-69	End Caps	30
Accessories	219	14-54	Clamps	30
Accessories	219	14-60	Coupler	15

Custom designs available for special applications. Please call for further details.